

OLYMPUS[®]

Your Vision, Our Future

STEREOMICROSCOPE SYSTEM

SZX7

For Biological Use



The Comfort Zone

Easy on the eyes: user comfort is where precision performance begins

The new SZX7 stereo microscope from Olympus is easy on the eye in more ways than one — as users in every field of biological study will quickly discover. Because in operation, touch and optical performance, the SZX7 is designed to enhance ease of use and working comfort in every task, from advanced research to routine inspections. Its Galilean optical system, previously restricted to more specialized microscopes, offers the best zoom ratio in this class as well as outstanding image clarity, true color and accurate reproduction of the original specimen in crisp, well-defined detail. Flexible modularity and abundant accessories also ensure quick and easy system adaptation for specimen of any type and size. Welcome to the comfort zone.



Quality optics and flexible system expansion for consistently superior image reproduction

Clear, accurate specimen observation without strain. With its smooth finish, apochromatic zoom optics, ComfortView eyepieces and easy adjustability, the SZX7 minimizes strain and fatigue while fulfilling the key mission of Olympus microscope designers — to provide the optimal image for any specimen. The clear, accurate performance of the high-level Galilean optical system is complemented by a Distortion Free objective lens series with maximum Numerical Aperture. The SZX7 microscope body is manufactured using newly developed lead-free optics, demonstrating Olympus' commitment to protect the environment.

The best zoom ratio in this class

With a magnification range of 8x-56x (using a 1x objective/10x eyepieces), the SZX7 offers a zoom ratio of 7:1. This is the best in its class, and allows specimen to be observed at the most appropriate magnification.

The best resolving power in this class

Superior quality objectives deliver accurate, high resolution observation images which show every specimen in minute detail.

A range of objectives to suit every specimen and every application

- *Superior Image quality with high resolution and excellent flatness:*

The new DFPLAPO1x-4 objective lens provides utmost optical performance in this class, with Plan Apochromat correction and N.A. of 0.10.

- *Longest working distance (W.D.) in this class:*

Objectives range from the SZX-ACH1x (90mm W.D.) to the DFPL0.5x (198mm W.D.). As a result, even surfaces which are difficult to access can be observed easily.

Accurate color reproduction

Careful selection of lens surface coatings and apochromatic zoom optics make it possible to observe and document specimen in their original, authentic colors.



Galilean optics feature two (right/left) independent and parallel zoom optical paths. This system enables high optical performance as well as system modularity.



“ComfortView” eyepieces for greater comfort and faster work

Quick, comfortable observation and documentation are ensured by this completely new eyepiece design featuring Pupil Aberration Control and Appropriate Positioning in the eye point. The result is a field of view that is easy to find, comfortable to view, and easy to keep.

Convenient front-access operation

Improved access to the most frequently used knobs and controls maximizes operator comfort and reduces neck and back strain.

Tilting binocular tube for comfortable observation

A tilting binocular observation tube is available, which helps the user to quickly find their most comfortable viewing position.

Fast recall of magnification settings via click-stop mechanism

Many inspection and documentation tasks require the use of a known zoom magnification setting to ensure consistent and comparable results. The integrated click-stop mechanism provides quick and easy access to this important function.



Objectives



Eyepieces



Tilting binocular head / SZX-TBI

Fluorescence unit with coaxial illumination allows clear, bright observation even with weakly emitting specimen

This reflected light fluorescence unit is used to observe fluorescence in living cells under a stereo microscope. The high-performance fluorescence filter sets have sharp cutoffs and high transmission to capture even faint emissions from fluorescent proteins.

Reflected light fluorescence unit SZX-RFL2

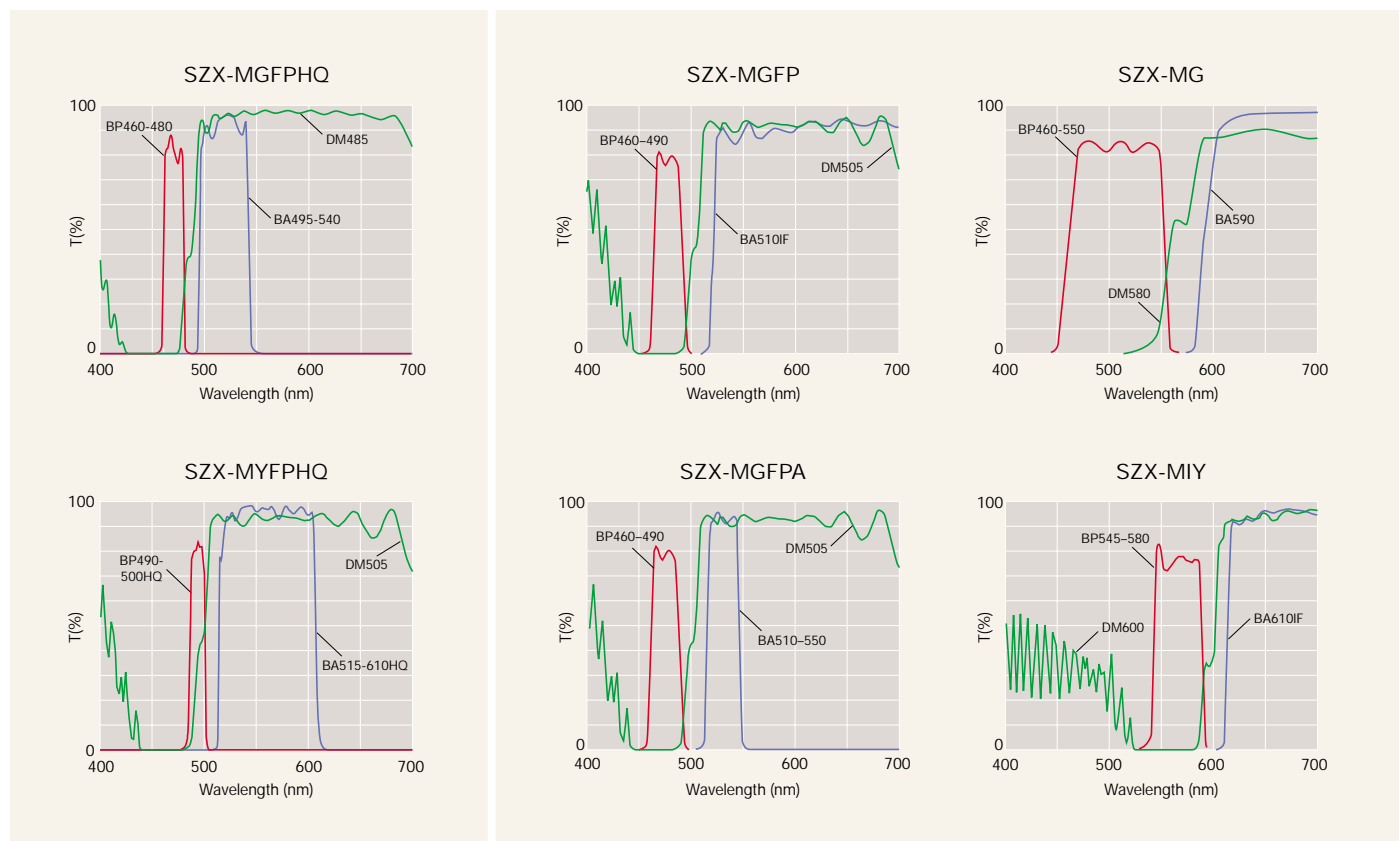
Three fluorescence filter blocks can be mounted in a 4-position slider. An open position is provided for easy access to transmitted light observation. The light source is a 100W mercury lamp, for bright fluorescence observation with high contrast. A total of six filter sets can be selected, depending on the purpose.

High-performance filters for GFP/YFP

Two different types of high-performance filter sets are available for GFP/YFP. Optimized for the characteristics of GFP/YFP wavelengths, they have high transmission rates of 90% to 95% and sharp cutoffs for efficient detection of even weak fluorescence.



Filter cubes





Multiple illumination sources ensure the right light for every task



LED illuminator stand / SZ2-ILST

The world's first LED stand features a thin design to keep sample positions low and to optimize operability. Simultaneous transmitted and reflected light are available on this stand. LED light offers both long lifetime and constant color temperature at any intensity.



Transmitted illumination attachment / SZ2-ILA

Used with the SZ2-ST stand, this cost-effective illumination stand provides bright, uniform illumination from low to high magnifications. Tilttable mirror provides direct and oblique illumination for low contrast specimen. Available 22W and 100W lamphouses provide necessary power for a variety of illumination needs.



Brightfield/darkfield transmitted light illuminator / SZX-ILLD2
This stand provides bright and high contrast brightfield and darkfield illumination. The illuminated field is up to 63mm in brightfield and 33mm in darkfield.



High-level transmitted light illuminator / SZX-ILLB2
With continuously adjustable contrast settings, this stand provides clear, effective illumination. An adjustable slit aperture adds contrast to a variety of specimen types. Light intensity and color temperature are adjusted by built-in filter sliders.



Variety of fiber guide illumination systems are available.



Flexible light guide / SZ2-LGSF



Interlock dual light guide / SZ2-LGDI



Ring light guide / SZ2-LGR



Coaxial reflected light illuminator / SZX-ILLC

Compliance with various needs, from digital imaging to observation of large-size specimens



Digital camera / DP70

By combining Olympus digital camera technologies with special high-speed processing hardware, images with up to 12.5 million pixels can be captured at high speed maintaining image quality, accuracy and color fidelity. The DP70 employs a 2/3 inch CCD. Images can be captured at resolutions up to 4080x3072 pixels.

Beam splitter / SZX-BS

Two cameras, either video or digital or still cameras, can be attached simultaneously. The light path can be changed between three different settings: 100% observation, 100% photo/video camera, and 50% observation and 50% photo/video to both left and right cameras.

Photo adapter / SZX-PHA

Various adapters are available for different kinds of CCD cameras, and can be used with the beam splitter.



Microscope digital camera / DP12

Compact overall design, with palm-size multi-function control unit integrating a 3.5" LCD monitor with 200,000-pixel display, and a small footprint that makes it easy to install and lay out any necessary auxiliary equipment. The 3.34 million-pixel and 1/1.8 inch progressive scanning CCD system ensures highly precise digital images which can be stored at a maximum resolution of 2048x1536. Stand alone camera is digital yet does not need to be connected to a PC.



Side by side discussion tube / SZX-SDO

Ample distance (600mm) is provided between the main and secondary observers, making observations easy without disturbing microscope operation. The color of the built-in pointer can be selected to contrast the specimen.



Various universal stands

A variety of universal stands are available for the observation of large size specimens. No matter how big the samples are or how much they vary in size, OLYMPUS has the right choice of stands to suit any requirements.



OLYMPUS
DP70

DP
70

OLYMPUS
SZX7

5
5.6

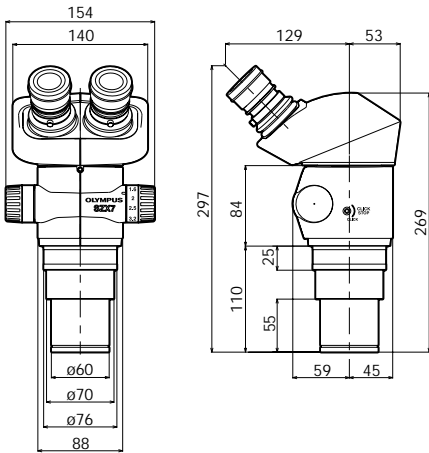


Warming plate

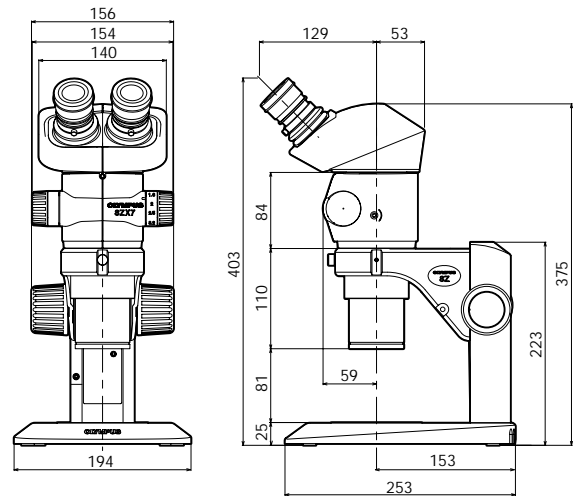
The temperature of this plate can be kept at 37°C. The temperature reaches virtually the entire surface, so several specimens can be warmed simultaneously.

■SZX7 Dimensions

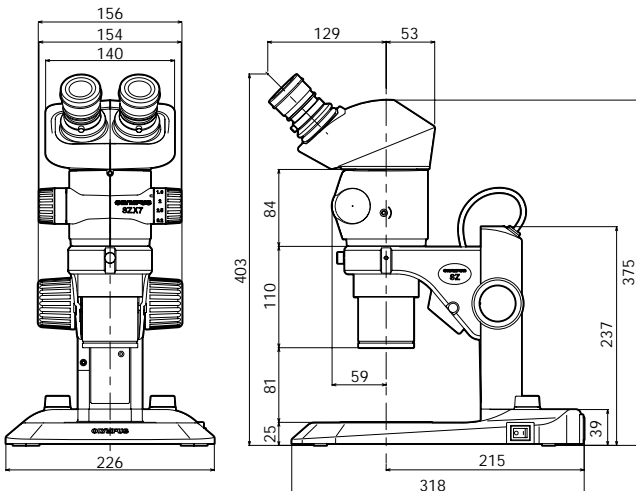
SZX7



SZX7+SZ2-ST



SZX7+SZ2-ILST



■ SZX7 Specifications

Item	Specifications			
Zoom microscope body SZX-ZB7	Zoom drive: Horizontal knob system Click stop for each zoom magnification: ON-OFF switching possible Zoom ratio values: 7:1 (0.8x to 5.6) Zoom magnification indication: 0.8, 1, 1.25, 1.6, 2, 2.5, 3.2, 4, 5, 5.6 Objective mounting: Screw mounting into thread Lead-free			
Aperture iris diaphragm control: The AS unit (SZX-AS) is mountable				
Observation tube SZX-BI45 SZX-TBI SZX-TR30	SZX-BI45	SZX-TBI	SZX-TR30	SZX-TR30PT
	Binocular tube View inclination angle 45°	Tilting binocular tube View tilting angle 5° to 45°	Trinocular tube View inclination angle 30° Light path selection: 2 steps (Binocular 100%, Video & photo 80%/Binocular 20%)	Trinocular tube View inclination angle 30° Light path selection: 2 steps (Binocular 100%, Photo 100%)
	All observation tubes: Lead-free Interpupillary distance adjustable range: 50 to 76 mm Eyepiece clamping knob provided			
Stand SZ2-ST SZ2-ILST	SZ2-ST		SZ2-ILST	
	Standard stand		LED reflected/transmitted illumination stand	
	Frame installation	Mounting diameter 76mm		
	Focusing adjustment	Knob rotation tension adjustment Focusing stroke 120mm		
	Stage plate	The dedicated glass plate in 100mm dia. included		
Light source	SZ2-SPBW (Black & white) SP-C (Glass clear transparent) Fiber optic illumination system SZ2-LGB mountable (option) Transmitted light illumination attachment (SZ2-ILA) mountable (option)		Transmitted illumination: LED Reflected illumination: LED Average LED life span: 6000 hrs. Input rating: 100-120V/200-240V~0.15/0.1A, 50/60Hz	
Objective lens *1 The SZ2-ET auxiliary sleeve is required when the SZ2-ST/SZ2-ILST is used.	Model		N.A.	Working distance
	DFPL0.5x-4*1		0.05	171mm
	DFPL0.75x-4		0.075	116mm
	DFPLAPO1x-4		0.10	81mm
	SZX-ACH1x		0.10	90mm
	SZX-ACH1.25x		0.125	68mm
	DFPL1.5x-4		0.15	45.5mm
DFPL2x-4		0.20	33.5mm	
All objectives: Lead-free				
"Comfort View" WHSZ series All eyepieces: Lead-free				
Weight	Configuration 1	4,360g	5,400g	5,200g
	Configuration 2	5,160g	6,200g	6,000g

Configuration 1: SZX-ZB7 + DFPLAPO1x-4 + individual observation tube + WHSZ10x-H (2) + SZ2-ST
Configuration 2: SZX-ZB7 + DFPLAPO1x-4 + individual observation tube + WHSZ10x-H (2) + SZ2-ILST

■ SZX7 optical performance

Eyepiece	WHSZ10x-H WHSZ10x		WHSZ15x-H		WHSZ20x-H WHSZ20x		WHSZ30x-H	
	F.N. 22		16		12.5		7	
Objective lens	Total magnification	Field of view (mm)	Total magnification	Field of view (mm)	Total magnification	Field of view (mm)	Total magnification	Field of view (mm)
0.5x	4x-28x	55-7.8	6x-42x	40.0-5.7	8x-56x	31.3-4.5	12x-84x	17.5-2.5
0.75x	6x-42x	36.7-5.2	9x-63x	26.7-3.8	12x-84x	20.8-3.0	18x-126x	11.7-1.7
1x	8x-56x	27.5-3.9	12x-84x	20.0-2.9	16x-112x	15.6-2.2	24x-168x	8.8-1.3
1.25x	10x-70x	22-3.1	15x-105x	16.0-2.3	20x-140x	12.5-1.8	30x-210x	7.0-1.0
1.5x	12x-84x	18.3-2.6	18x-126x	13.3-1.9	24x-168x	10.4-1.5	36x-252x	5.8-0.83
2x	16x-112x	13.8-1.9	24x-168x	10.0-1.4	32x-224x	7.8-1.1	48x-336x	4.4-0.63

■ "Comfort View" WHSZ eyepiece

	F.N.	Diopter adjustment	Reticle	Focal magnification
WHSZ10x	22	—	N.A.	—
WHSZ20x	12.5	—	N.A.	—
WHSZ10x-H	22	-8-+5	Yes*2	—
WHSZ15x-H	16	-8-+5	Yes*2	—
WHSZ20x-H	12.5	-8-+5	Yes*2	1.3x
WHSZ30x-H	7	-8-+5	Yes*2	2x

*2Applicable reticle size: 24mm diameter, t1.5

As of Oct. 1, 2003, Olympus Optical Co., Ltd. is named OLYMPUS CORPORATION.

Specifications are subject to change without any obligation on the part of the manufacturer.



OLYMPUS[®]

OLYMPUS CORPORATION
Shinjuku Monolith, 3-1, Nishi Shinjuku 2-chome, Shinjuku-ku, Tokyo, Japan
OLYMPUS OPTICAL CO. (EUROPA) GMBH.
Postfach 10 49 08, 20034, Hamburg, Germany
OLYMPUS AMERICA INC.
Two Corporate Center Drive, Melville, NY 11747-3157, U.S.A.
OLYMPUS SINGAPORE PTE LTD.
491B River Valley Road, #12-01/04 Valley Point Office Tower, Singapore 248373

OLYMPUS OPTICAL CO. (U.K.) LTD.
2-8 Honduras Street, London EC1Y 0TX, United Kingdom.
OLYMPUS AUSTRALIA PTY. LTD.
31 Gilby Road, Mt. Waverley, VIC 3149, Melbourne, Australia.
OLYMPUS LATIN AMERICA, INC.
6100 Blue Lagoon Drive, Suite 390 Miami, FL 33126-2087, U.S.A.

www.olympus.com

Printed in Japan M1512E-0903B